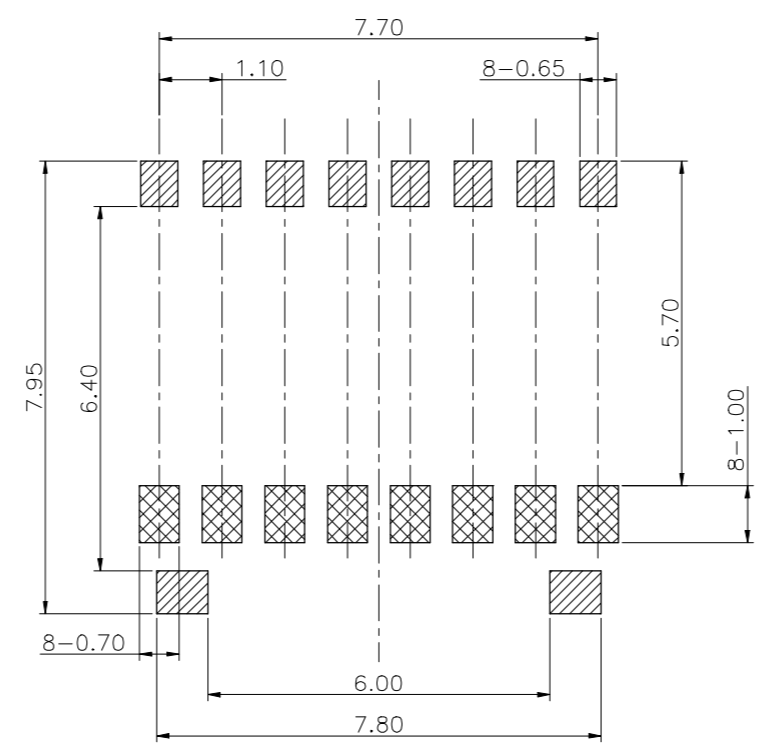
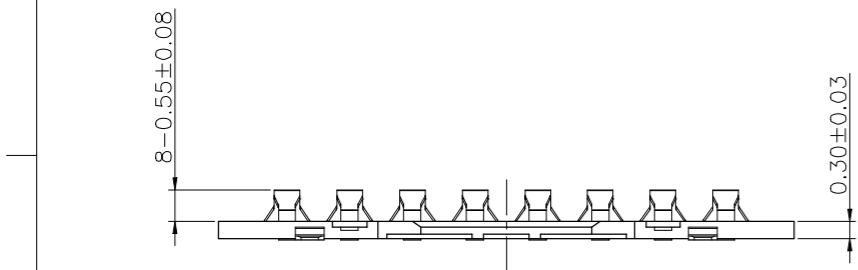
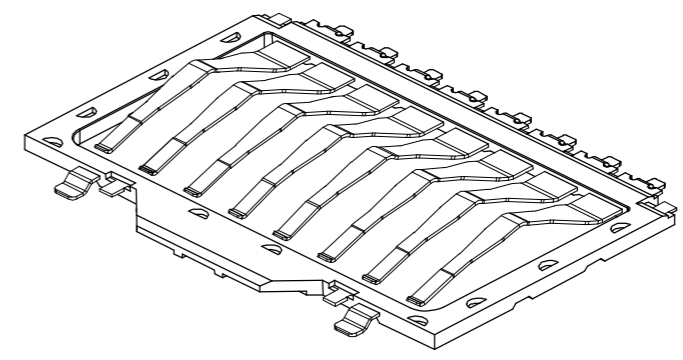
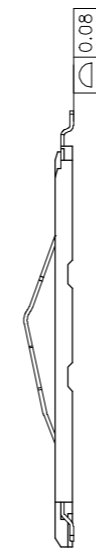
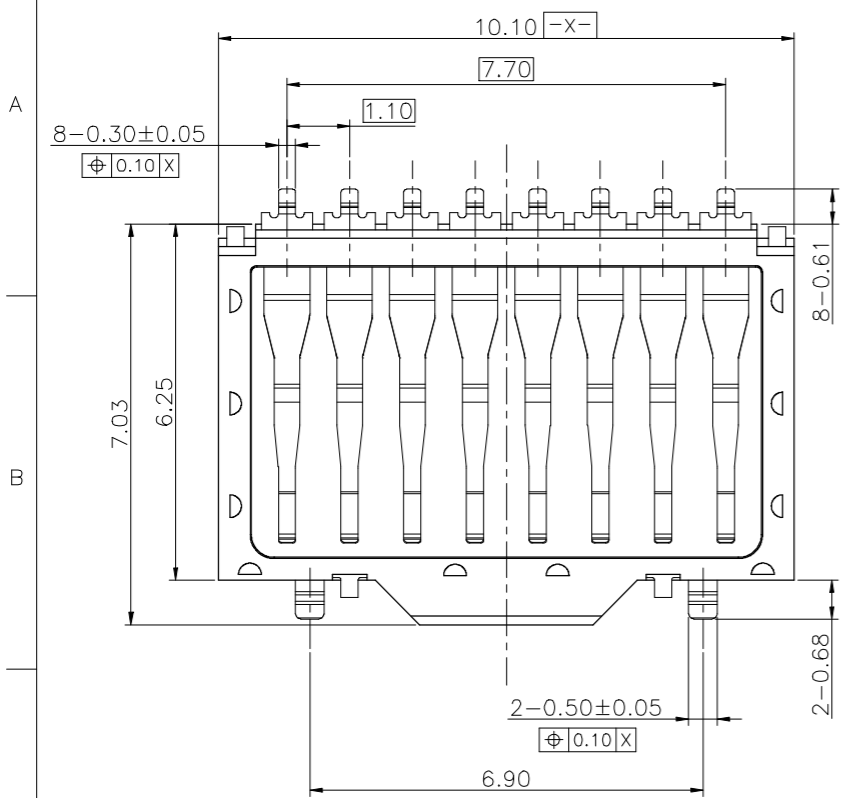


REV	ECN NO	DESCRIPTION	DATE	APPD
A		INITIAL RELEASE	2016.08.20	ANDREW



NOTES:

- ELECTRICAL CHARACTERISTICS:
  - 1-1. CONTACT CURRENT RATING: 0.5A MAX.
  - 1-2. CONTACT RESISTANCE: 100 mOHMS MAX.
  - 1-3. INSULATION RESISTANCE:
    - INITIAL: 1000 MOHMS MIN.
    - AFTER TEST: 100 MOHMS MIN.
- MECHANICAL CHARACTERISTICS:
  - 2-1. RETENTION FORCE: 100gf MIN.
  - 2-2. SHEAR FORCE: 3.5kgf MIN.
  - 2-3. DURABILITY : 5000 CYCLES.
  - 2-4. NORMINAL CONDITION DISPLACEMENT 0.45MM  
CONTACT NORMAL FORCE 30gf~70gf/Pin.
- ENVIRONMENT CHARACTERISTICS:
  - 3-1. OPERATING TEMPERATURE: -25°C~85°C
  - 3-2. STORAGE TEMPERATURE: -40°C~85°C
- RECOMMENDED IR REFLOW PORCESS PEAK TEMPERATURE: 250±5°C, DURATION 10s MAX.
- ALL SMT CONTACTS AND PADS CO-PLANARITY: 0.08mm MAX
- FINISH:  
CONTACT: NICKEL PLATING OVERALL, Au 2u" MIN PLATING AT SOLDER AREA, Au 15u" MIN AT CONTACT AREA.

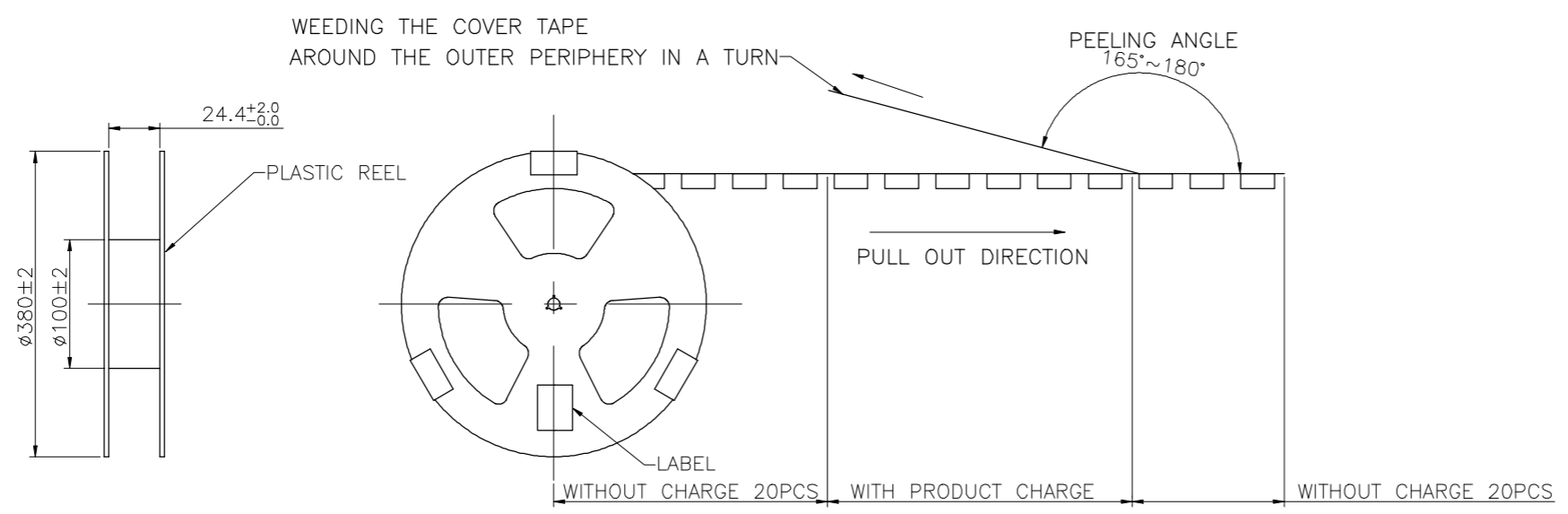
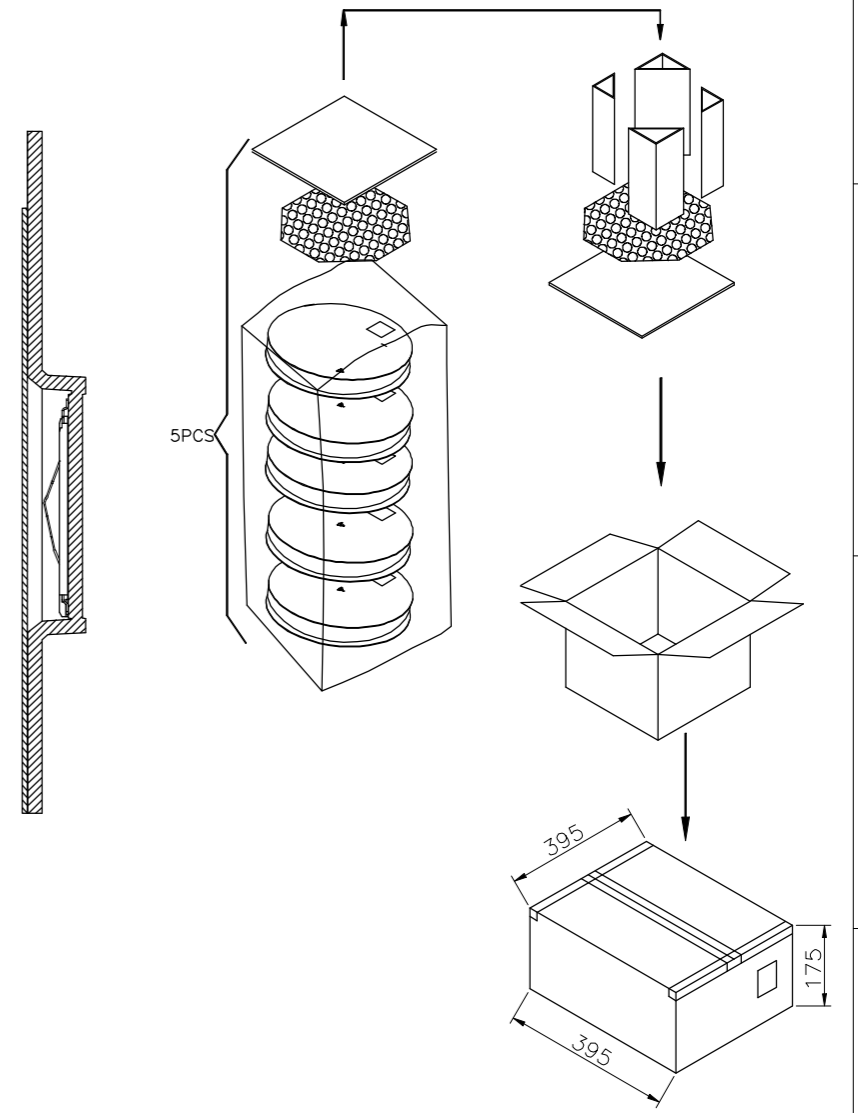
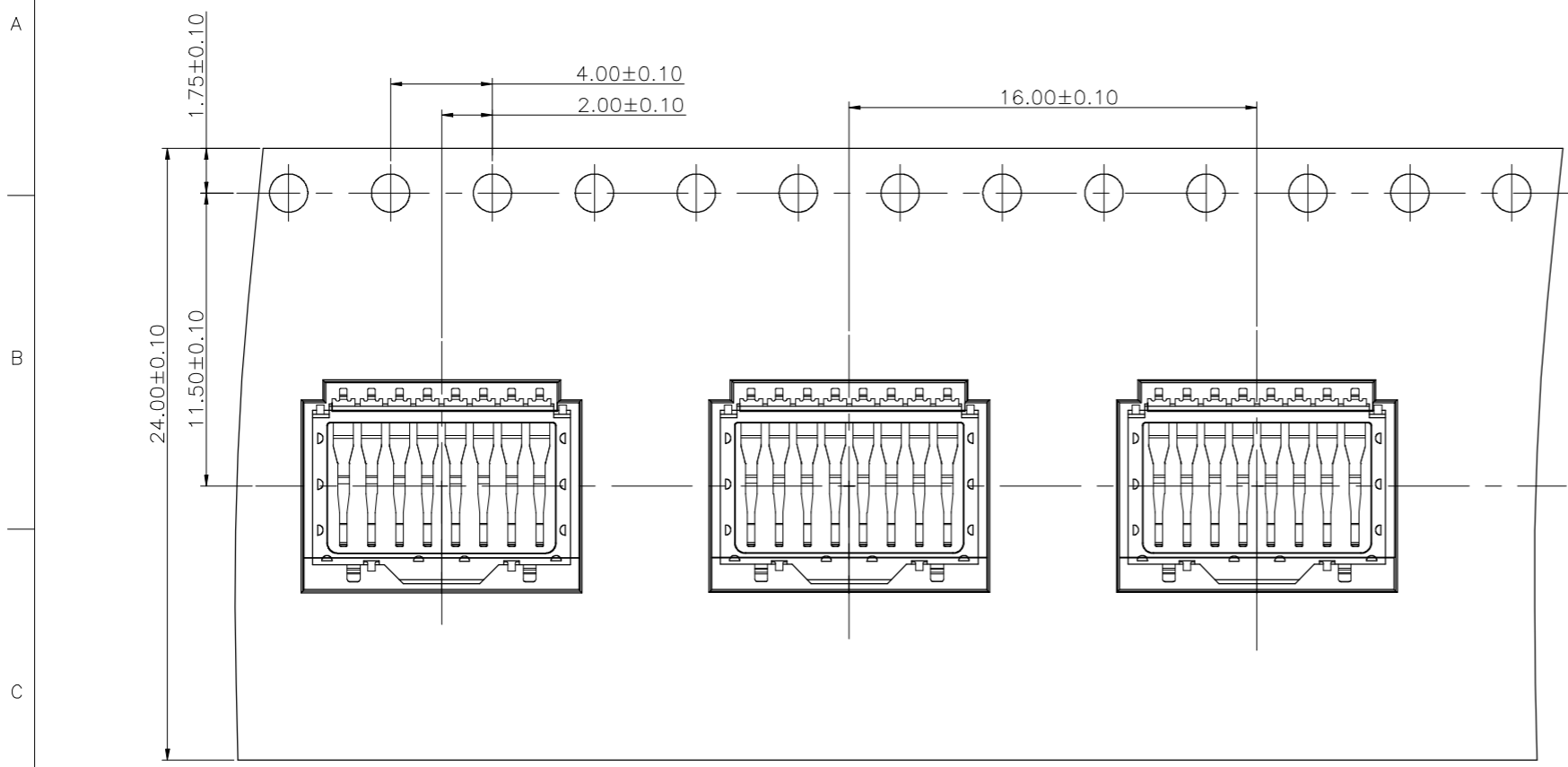
RECOMMENDED PCB LAYOUT  
TOLERANCES ±0.05

ITEM	DESCRIPTION	MATERIAL	FINISH	Q'TY
2	CONTACT	COPPER ALLOY C17200-190	NICKEL UNDER PLATED OVERALL, GOLD 15u" ON CONTACT AREA GOLD 2u" ON SOLDER AREA	1
1	HOUSING	THERMOPLASTIC LCP S475 BK	BLACK COLOR UL94-V0	1

EXTEND USE	MICRO SD SERIES 0.3H	TITLE	1.057A0 CONN Customer Drawing	
UNIT	mm	MATERIAL	APPD ANDREW 2016.08.20	
GENERAL TOLERANCE	Ⓢ	QTY	CHD	P/N: 1.057A0-008-5R0
DIMENSION	±0.30	FINISHED	DRN Ted 2016.08.20	SHEET 1/1
.0	±0.25			SCALE 1:1
.00	±0.20			REV A
.000	±0.10			

A3

REV	ECN NO	DESCRIPTION	DATE	APPD
A		INITIAL RELEASE	2016.08.20	ANDREW



- Notes:
- MATERIAL:  
CARRIER TAPE: PS.  
COVER TAPE: PE,PET,PEF
  - Q'TY: 2600PCS/REEL, 13000PCS/CARTON
  - PEELING FORCE: 20gf~130gf.

EXTEND USE		TITLE		FIF	
MICRO SD SERIES 0.3H		1.057A0 CONN Customer Drawing		DWG NO	
UNIT mm		APPD ANDREW 2016.08.20		C-1.057A0	
GENERAL TOLERANCE		MATERIAL		P/N:	
DIMENSION		QTY		1.057A0-008-5R0	
ANGLES		FINISHED		SHEET	
. ±0.30		DRN Ted		SCALE	
.0 ±0.25		2016.08.20		1/1	
.00 ±0.20				1:1	
.000 ±0.10				REV	
				A	