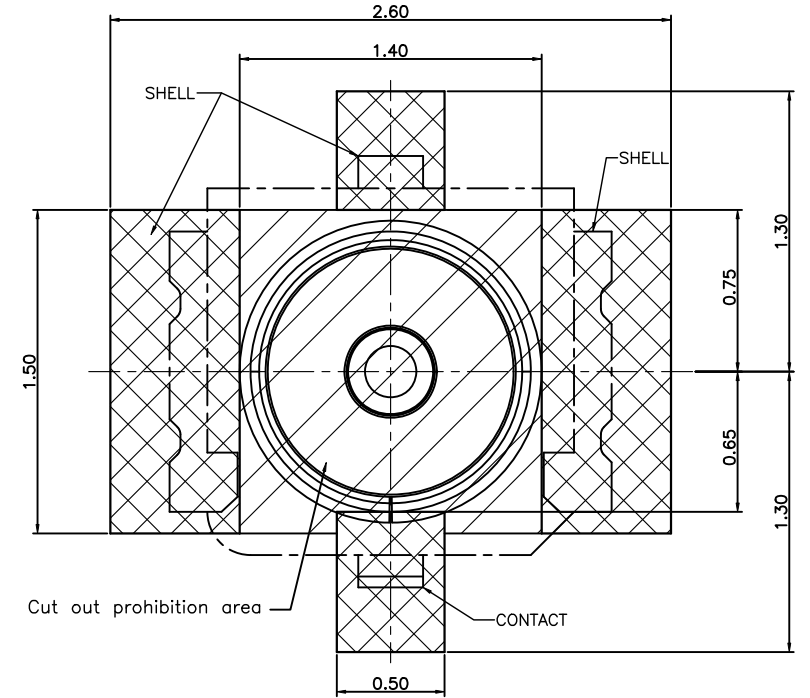
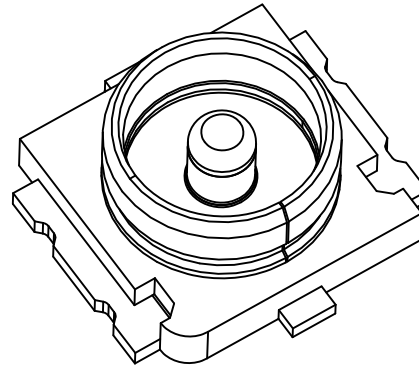
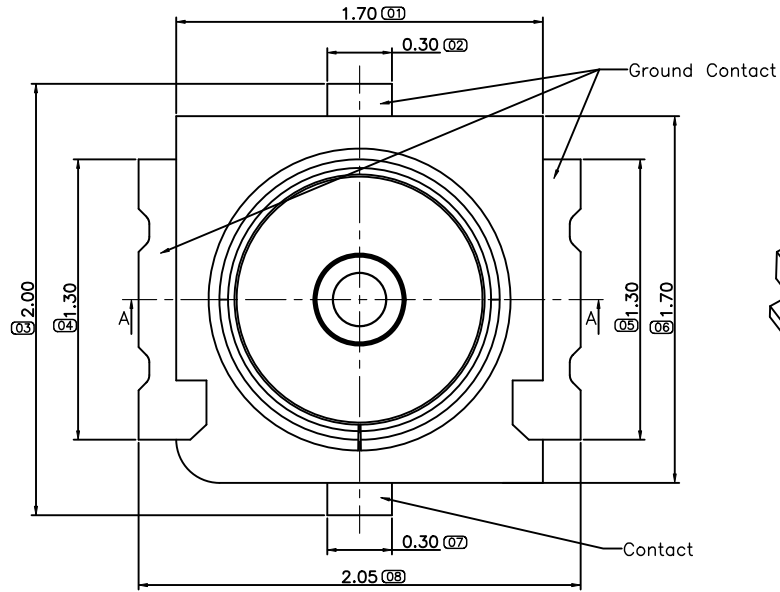
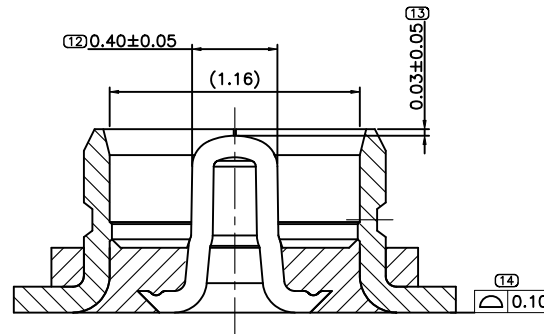
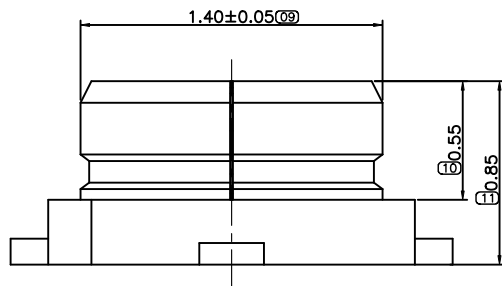


A3

REV	ECN NO	DESCRIPTION	DATE	APPD
A	ECN1307016	INITIAL EDITION	2013.07.24	Bill Zheng



Recommended PCB Layout
(General Tolerance Is ±0.05)



Section: A-A

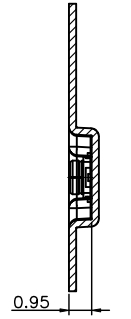
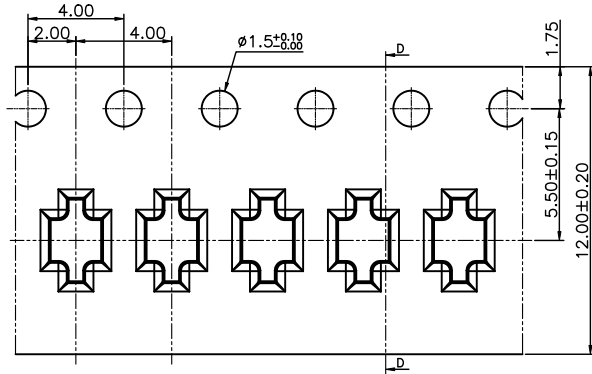
NOTE:

- MATERIAL:
 - HOUSING:THERMOPLASTIC,COLOR:BLACK,UL 94V-0;
 - CONTACT: COPPER ALLOY,T=0.10mm;
 - SHELL:COPPER ALLOY,T=0.12mm.
- FINISH:
 - CONTACT: GOLD PLATED ON MATING AREA,GOLD FLASH ON SOLDER TAILS, NICKEL UNDER PLATED OVER OF THE ALL;
 - SHELL: GOLD FLASH ON THE ALL,NICKEL PLATED UNDER.
- THE INCOMING MATERIAL,MANUFACTURING PROCESS AND THE SHIPMENT MUST ACCORD WITH THE REQUIREMENT OF FAF JH-GP-213 ENVIRONMENT MANAGEMENT MATERIAL FORBIDDEN USED PROCEDURE.

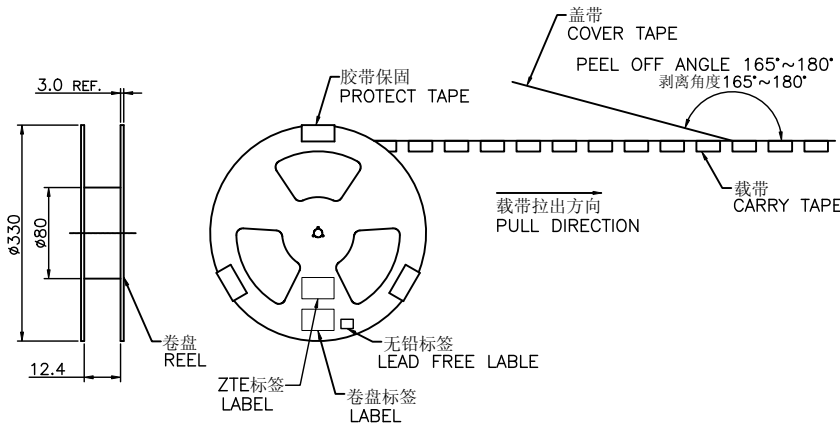
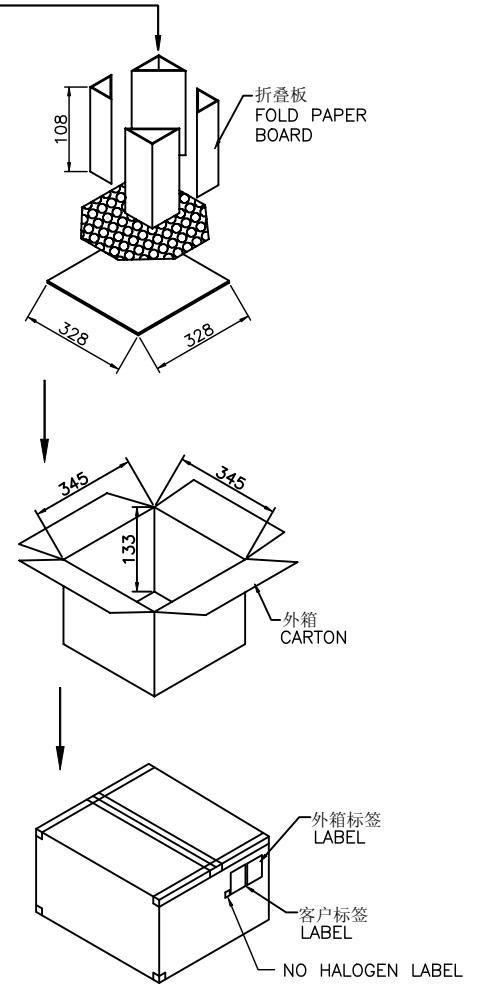
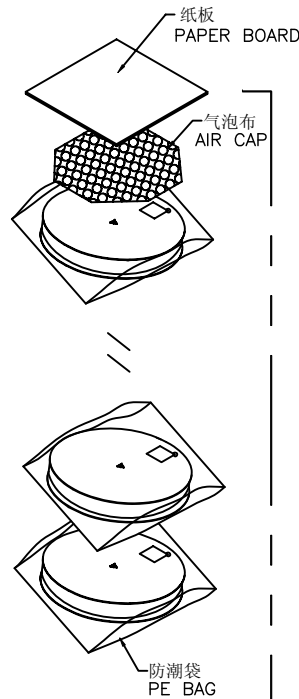
EXTEND USE		TITLE			
RF 1.5H REC Connector		7.017A0 Connector Customer Drawing			
GENERAL TOLERANCE (10)		UNIT	mm	DWG NO	
DIMENSION		MATERIAL	APPD	C-7.017A0	
ANGLES		QTY	CHD	P/N:	
.0 ±0.25		FINISHED	DRN	7.017A0-000-1R0	
.00 ±0.20		Rico Wang 2013.07.24		SHEET	SCALE
.000 ±0.10		David Wang 2013.07.24		1/2	1:1
		Rico Wang 2013.07.24		REV	
				A	

A3

REV	ECN NO	DESCRIPTION	DATE	APPD
A		INITIAL EDITION	2013.07.24	Bill Zheng

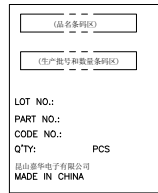


无卤
No halogen
NO HALOGEN LABEL



1: 包装内容
INFORMATIONS OF THE PACKING

品名 (TITLE)	料号 (P/N)	一卷包装数量 Q'TY/REEL	一箱包装数量 Q'TY/CARTON
7.017A0 CONNECTOR	7.017A0-000-1R0	5000PCS	20000PCS



EXTEND USE		TITLE	
RF 1.5H REC Connector	UNIT mm	7.017A0 Connector Customer Packing	
GENERAL TOLERANCE	MATERIAL	APPD Bill Zheng 2013.07.24	
DIMENSION	ANGLES	QTY CHD David Wang 2013.07.24	DWG NO C-7.017A0-P
. ±0.30	. ±3°	FINISHED DRN Rico Wang 2013.07.24	P/N: 7.017A0-000-1R0
.0 ±0.25	.0 ±2°		SHEET 2/2
.00 ±0.20	.00 ±1°		SCALE 1:1
.000 ±0.10			REV A