

B250012



- ▶ 主要技术特性(Main Specifications)
- ▶ 适用导线规格 (Applicable wire) : AWG26#~20#
- ▶ 适用基板厚度 (Applicable PC board thickness) : 1.2mm~1.6mm
- ▶ 温度范围 (Temperature range) : -25℃~+85℃
- ▶ 额定电压 (Voltage rating) : 250V AC, DC
- ▶ 额定电流 (Current rating) : 2A AC, DC
- ▶ 接触电阻 (Contact resistance) : $\leq 0.02\Omega$
- ▶ 绝缘电阻 (Insulation resistance) : $\geq 1000M\Omega$
- ▶ 耐压 (Withstanding voltage) : 1000V AC/minute

材料及电镀规格 Material and Finish

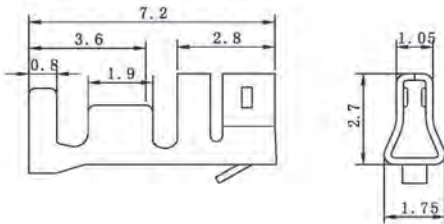
型号 Type	材料 Material	材料厚度 Material Thickness	电镀规格 Finish
插座 WAFER	塑胶 HOUSING	PA66 UL94V-0	N/A
	针PIN	黄铜 Barss	镀锡 Tin-plated
孔座 HOUSING	PA66 UL94V-0	—	N/A
端子 TERMINAL	锡青铜 Phosphor bronze	0.2mm	镀锡 Tin-plated

产品尺寸图 Product size chart

 单位: mm 一般公差: ± 0.20

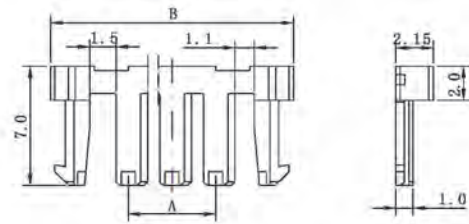
TERMINAL

(B250012-4) (917683-1)



HOUSING

(B250012-5-05)



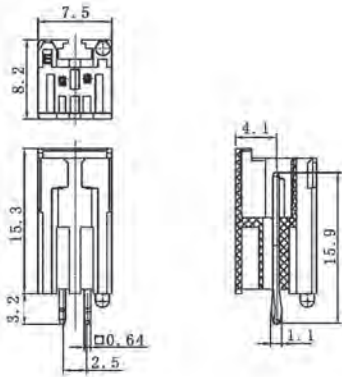
HOUSING

极数 Circuits	型号 Type	尺寸(Dimensions)mm		备注型号 P. S. Type
		A	B	
2	B250012-5-02	6.4	--	917698-1
3	B250012-5-03	8.9	--	917699-1
4	B250012-5-04	11.4	2.5	917700-1
5	B250012-5-05	13.9	5.0	917701-1
6	B250012-5-06	16.4	7.5	917702-1
7	B250012-5-07	18.9	10.0	917703-1
8	B250012-5-08	21.4	12.5	917704-1
9	B250012-5-09	23.9	15.0	917705-1
10	B250012-5-10	26.4	17.5	917706-1
11	B250012-5-11	28.9	20.0	917707-1
12	B250012-5-12	31.4	22.5	917708-1
13	B250012-5-13	33.9	25.0	917709-1

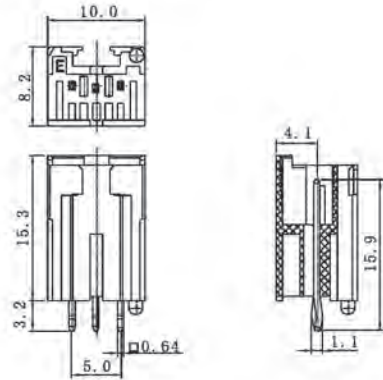
B250012

WAFER

B250012-1A-02 917722-1

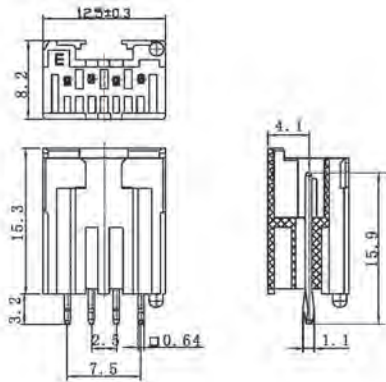


B250012-1A-03 917723-1

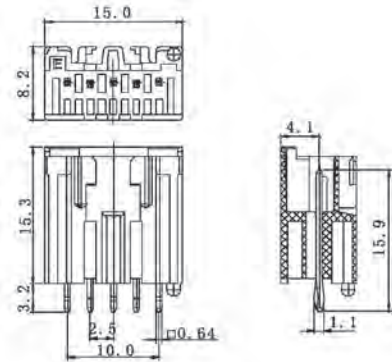


WAFER

B250012-1A-04 917724-1

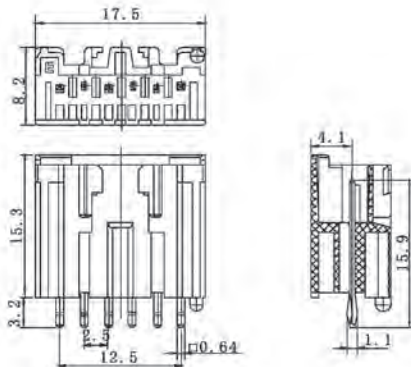


B250012-1A-05 917725-1

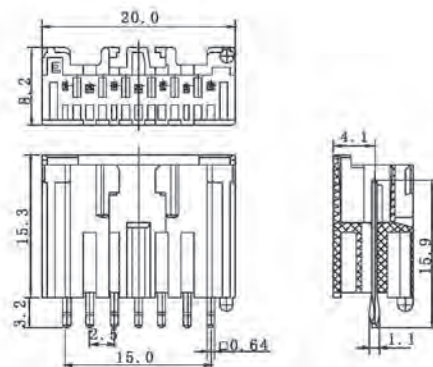


WAFER

B250012-1A-06 917726-1

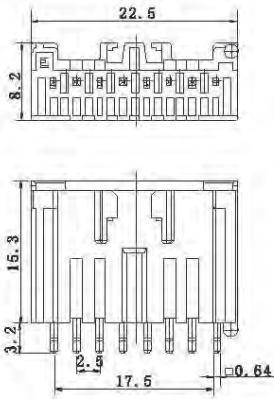
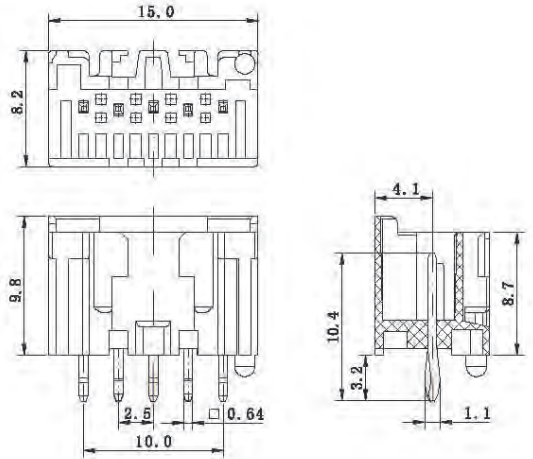


B250012-1A-07 917727-1

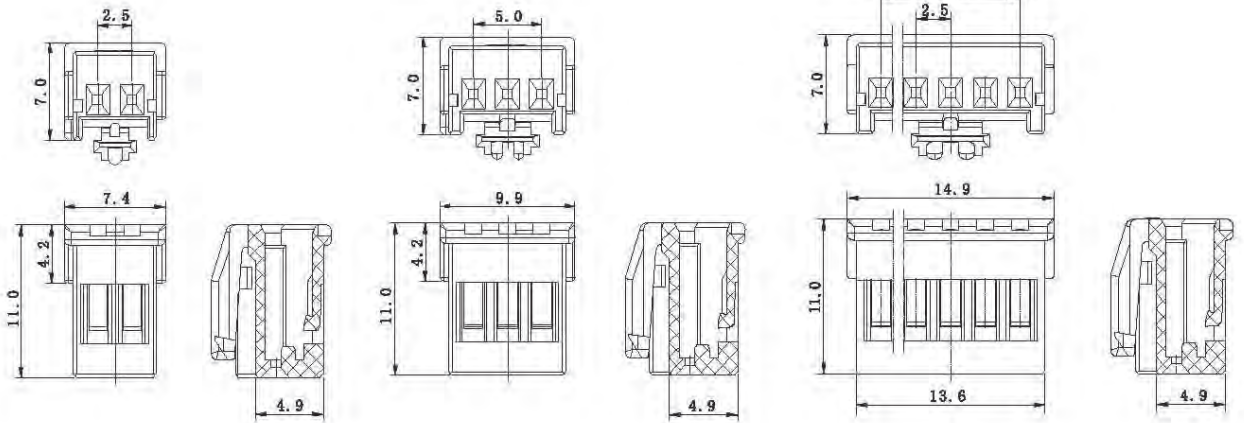


B250012

WAFER

B250012-1A-08 **917728-1**

B250012-1-05 **917783-1**


HOUSING

B250012-2-02 **917686-1**
B250012-2-03
917687-1
B250012-2-*


HOUSING

极数 Circuits	型号 Type	尺寸(Dimensions)mm		备注型号 P. S. Type
		A	B	
4	B250012-2-04	12.4	7.5	917688-1
5	B250012-2-05	14.9	10.0	917689-1
6	B250012-2-06	17.4	12.5	917690-1
7	B250012-2-07	19.9	15.0	917691-1
8	B250012-2-08	22.4	17.5	917692-1
9	B250012-2-09	24.9	20.0	917693-1
10	B250012-2-10	27.4	22.5	917694-1
11	B250012-2-11	29.9	25.0	917695-1
12	B250012-2-12	32.4	27.5	917696-1
13	B250012-2-13	34.9	30.0	917697-1